



## OPERATION MANUAL

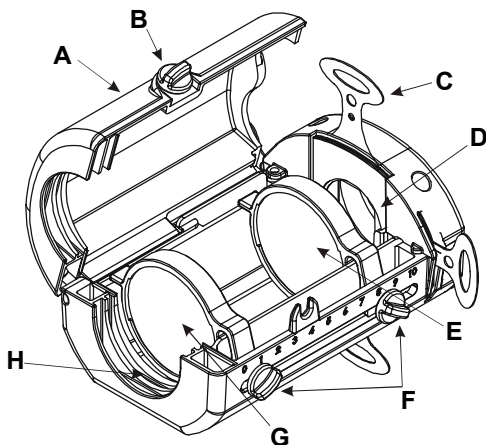
### AUREOL BEAMSHAPER accessory

Thank you for purchasing an Aureol BeamShaper accessory. We have designed this product to provide you with a superior fitting in performance design and engineering. We are confident that it will perform to your expectations for many years to come.

**Caution!** Installation is entirely at your risk. Read this manual from cover to cover before attempting installation. Do not attempt installation unless you are suitably qualified. If you do not understand a point in this manual, don't guess. Don't take short cuts. If in doubt, stop! Contact Selecon or one of its authorised distributors for advice. Don't be afraid to ask for help.

### Key operating points and features

The Aureol BeamShaper is a lens tube accessory designed to fit into the front slot of an Aureol Low Voltage BeamSpot. It will allow you to shape your beam using the shutters, or to project patterns.



- A: BeamShaper Lid. This allows you access to the lens compartment for cleaning or for inserting patterns.
- B: Lid Locking Knob. This locks the BeamShaper lid closed.
- C: Shutters. Four non-removable shutters are provided to allow you to mask portions of the beam, or to frame around pictures, etc.
- D: Pattern Slot. This slot, just forward of the shutter plates, allows you to insert either glass patterns, which fit directly into the slot, or steel patterns which get inserted in front of the supplied 'pattern spacer' ring.
- E: Rear Lens.
- F: Lens Locking Knobs.
- G: Front Lens.
- H: Colour and accessory slots.

### Getting started

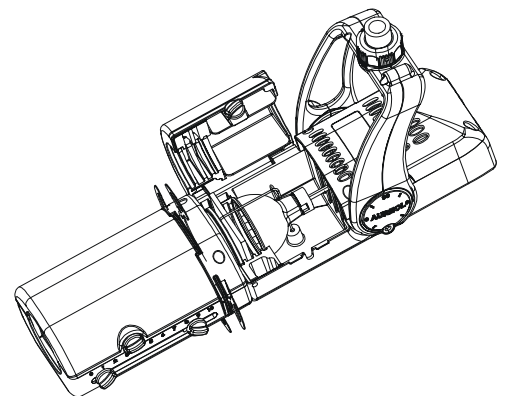
#### Mounting your BeamShaper to the Aureol BeamSpot

To insert the BeamShaper, loosen the Aureol BeamSpot lid-locking knob, and open the lid. Insert the rear of the BeamShaper into the front slot provided on the Aureol BeamSpot, into which it should fit snugly. Note that the rear of the BeamShaper has a ball bearing protruding from it.

This ball bearing will locate into the small dimple on the front of the Aureol BeamSpot, indicating that the BeamShaper is in the in line position. Close the Aureol BeamSpot lid and lock it.

The BeamShaper can be rotated through 360°. Note the 'click' when the ball bearing locates into the dimple, indicating that you are back to the neutral position.

Once you have the BeamShaper in the desired rotation position, it can be permanently locked off by tightening the 'accessory locking M4 grub screw' on the side of the Aureol BeamSpot.

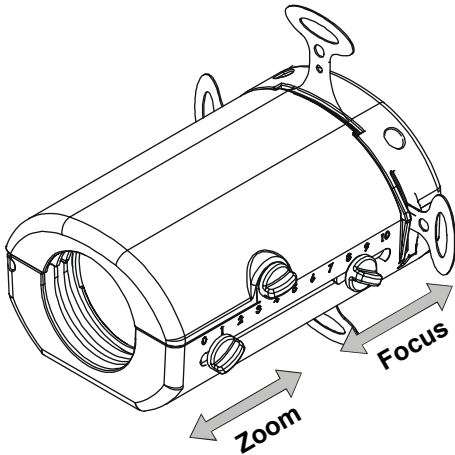


## Lamps

The Aureol BeamShaper is a precision optical instrument and is shipped with the GE Precise 50W 25° 12V MR16 lamp. This is Selecon's preferred lamp for the BeamShaper however you can also use the following lamps in order of preference (lamps other than these may not give you the best beam quality):

Osram 50W 38°	Philips Halotone ES 45W 8° or 24°	Radium Mega 50W or 65W 10°
Philips Masterline Plus 50W 24°	Philips Standard line 50W 10°	Ushio 50W 11°

## Focusing the BeamShaper



The Aureol BeamShaper has two lenses that can be moved until the desired beam quality is reached. To move the lenses, simply loosen the Lens locking knobs and move them into the desired position, and then tighten the locking knobs.

The front lens controls the size of the beam of light (forward = small beam, backwards = large beam), and the rear lens controls the focus quality of the beam (soft edged or hard edged).

A reference scale is provided on the side of the BeamShaper to allow you to record your pre-set lens positions, so that they can easily be reproduced.

*Note that if the spotlight has been on for more than a few minutes, it may be hot.*

The four shutters can be used to mask off portions of the beam, or to frame areas, etc. Both the depth and the angle of the shutters can be controlled, allowing virtually any angle. The BeamShaper can also be rotated through 360° allowing for easy framing of non-horizontal shapes.

## Operating the BeamShaper

### Inserting Patterns and colours or accessories

The Aureol BeamShaper is provided with a slot to accept patterns for projection. This slot is directly in front of the shutter plates. If you are using glass patterns, they can be inserted directly into the slot (up to a maximum thickness of 2mm).

If you are using steel patterns, which are much thinner than glass patterns, you must first insert the pattern spacer into the slot (figure 1), and then slide the steel pattern in front of the pattern spacer (figure 2).

Patterns to be used are 'E' size patterns, with an outside diameter of 37.5mm, and a standard image diameter of 28mm. Note that as the Aureol has a gate of 32mm, the image could in actual fact be any size up to 32mm in diameter.

Once the lens compartment lid has been closed, it will lock the pattern in position.

Two slots are provided at the front of the BeamShaper for colour media or accessories.

The rear slot will accept media such as dichroic colour filters that are up to 2.5mm thick.

The front slot will accept media that is up to 4mm thick, or will take accessories such as animation discs, etc.

Colour media can be 50mm round or square. If using square colour media, care should be taken not to chip the corners of the media when closing the lid.

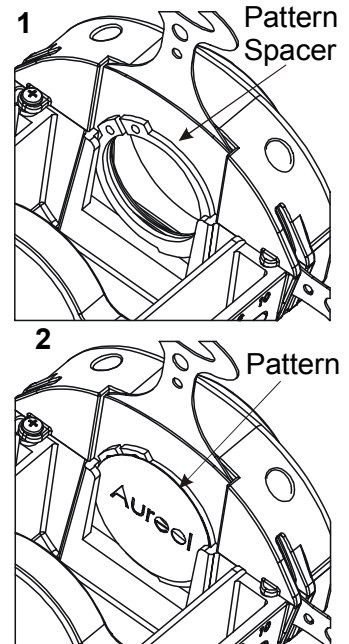
### Safety and maintenance

Maintain the Aureol BeamShaper in good condition and performing at its best by cleaning it regularly with a soft cloth. The BeamShaper's lenses should only be cleaned with optical tissue paper.

The above are the only maintenance tasks that can be safely carried out by non approved personnel.

Selecon has manufactured this luminaire in accordance with recognised best practices to recommended international safety standards. It is your responsibility to maintain this luminaire in good and safe working condition.

Repairs should only be carried out by suitably qualified persons. Do not operate the luminaire with damaged lamps or cable, etc. Consult your Selecon distributor for assistance. Only replace damaged parts with authorised Aureol spares.



## Limited Warranty

Selecon New Zealand Ltd. ("Selecon") warrants all Selecon architectural / display luminaires against defects in materials or workmanship. The term of this warranty is three years; from the date of delivery.

Architectural / display relates to typical usage such as display lighting in a Museum viz: 10 – 12 hrs per day, 7 days per week.

This warranty is void in any of the following circumstances:

- (a) The luminaire has been misused, neglected, damaged or abused.
- (b) The luminaire has been improperly installed, operated, repaired or maintained.
- (c) The luminaire has been modified.
- (d) The luminaire has been connected to other equipment with which it is not compatible.
- (e) The luminaire has been used or stored in conditions outside its electrical or environmental specifications.
- (f) The luminaire has been used for purposes other than for which it was designed.
- (g) The luminaire has been used outside its stated specifications and operating parameters.

Correct installation of the luminaire is the owner's responsibility.

To assert a warranty claim, complete Selecon's return authorisation form (available from Selecon). Return the luminaire to Selecon or its authorised agent.

If Selecon accepts the warranty claim, Selecon will provide, or arrange for, service, repair or replacement as Selecon shall determine in its sole discretion. Selecon shall bear the cost of such service, repair or replacement. However, the owner shall bear the cost of freight and insurance on the luminaire, both ways. If Selecon does not wish to service, repair or replace the defective luminaire, it shall refund the purchase price.

Selecon's sole responsibility is to repair, replace or service a luminaire subject to a valid warranty claim. Under no circumstance will Selecon be liable for direct, indirect, incidental, special or consequential costs or damages, including dismantling and re-installation costs, loss of operations or profits, to the maximum extent permitted by law.

Selecon accepts no liability for personal injury or property damage resulting from failure to heed relevant operating and safety procedures specified by Selecon or imposed by law.

This is an express warranty. Selecon disclaims any other express or implied warranties, including warranties of merchantability or fitness for purpose, to the maximum extent permitted by law.

Some jurisdictions do not allow limitations or disclaimers of implied or statutory warranties. Some jurisdictions do not allow disclaimers or exclusions of consequential or incidental damages. Therefore, the above disclaimers, limitations and exclusions may not apply in all jurisdictions in which Selecon sells its luminaires.

This warranty gives the owner specific legal rights. The owner may have other rights or remedies pursuant to the laws in its territory. Nothing in this limited warranty should be construed as limiting or restricting any other statutory right or remedy of the owner, except for such limitations or restrictions herein as may be allowed by the law of the territory.

Selecon has a policy of continual product improvement and specifications are subject to change without notice.

### **Manufacturer**

Selecon New Zealand 19-21 Kawana Street, Northcote, Auckland, New Zealand

Ph: + 64 9 481 0100, Fax: + 64 9 481 0101

[www.seleconlight.com](http://www.seleconlight.com), E-mail: [info@seleconlight.com](mailto:info@seleconlight.com)